

I-BEAM CATCH BASE

工字通道底桿

PATENT PENDING

Item Code	A	B	Weight
TSP-IBCB4	1200	100 - 680	10.6 kg
TSP-IBCB5	1450	190 - 920	11.3 kg
TSP-IBCB6	1700	430 - 1190	12.0 kg

ADVANTAGES

- Safety Working Load: 200 kg (Cantilever Span)
- Max. Cantilever Span: 500 mm
- Max. I-Beam Flange Thickness: 55mm

- Developed for support of temporary walkway on steel I-beam

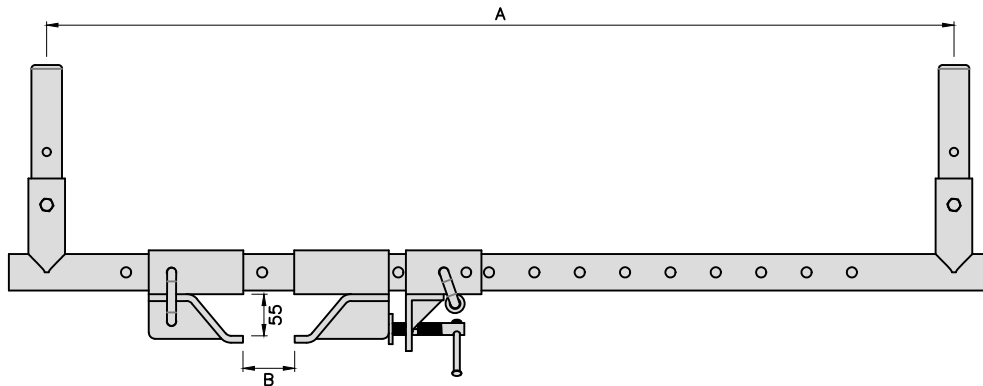
為在鋼工字鋼上支撐臨時行人通道而開發的底桿

- Excellent stability and strength

優良的穩定性和強度

- Simple installation and dismantle process

簡單的安裝和拆卸程序



Temporary Access on I-Beam Example

