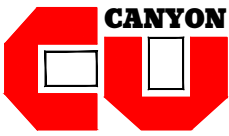


金源通架工程有限公司
**CANYON METAL SCAFFOLDING
ENGINEERING LIMITED**



PECCO & QUADSHORE CATALOGUE 2018

Introducing our latest pecco & quadshore shoring products



COMPANY INTRODUCTION & CONTENTS

COMPANY INTRODUCTION

CANYON DEVELOPMENT LTD was established in 1985.

CANYON METAL SCAFFOLDING ENGINEERING LTD was established in 2005 and has been certified per ISO 9001 from HKQAA.

Our core business provides a wide variety of metal scaffolding equipment, steel falsework and formwork system. We are proud to be one of the pioneers in metal scaffolding in Hong Kong, encompassing the spirit of professionalism and reliability, as well as participation in most of the huge formwork and scaffolding projects in the territory.

CONTENTS

PECCO & QUADSHORE SUPPORT

INTRODUCTION	P1
PECCO MAIN BODY	P2
QUADSHORE MAIN BODY	P3
SUPPORT JACK	P4
U-HEAD	P5
BRACING CONFIGURATION	P5
TECHNICAL DATA	P6



PECCO SUPPORT 四柱頂 (S.W.L. 200kN) QUADSHORE SUPPORT 豬籠架 (S.W.L. 365kN)

Economic Efficiency

1. Reduce construction cost per unit area.

Functionality

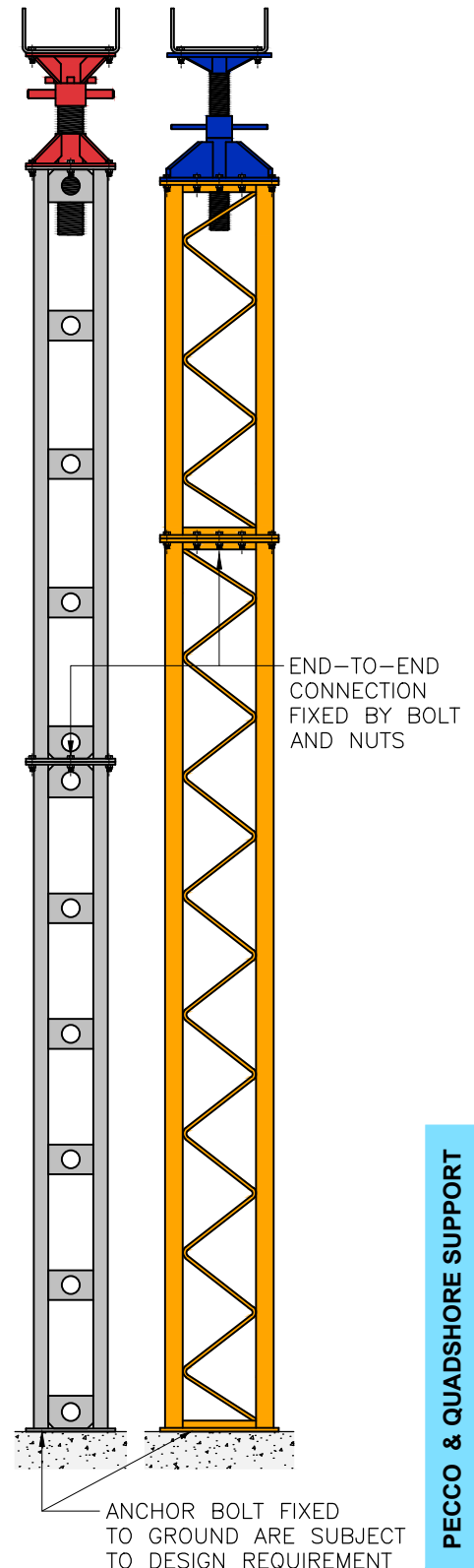
1. Designed in a perfect symmetric figure.
2. Can be easily braced by single scaffold tube and coupler.
3. A jack is commonly used on the upper and lower ends, allowing for an adjustable range from 280mm to 580mm (Pecco) or 298mm to 512mm (Quadshore).
4. Main body has various sizes depending on the required height at site - additional height can be adjusted with the combination of support jack(s) on both ends.



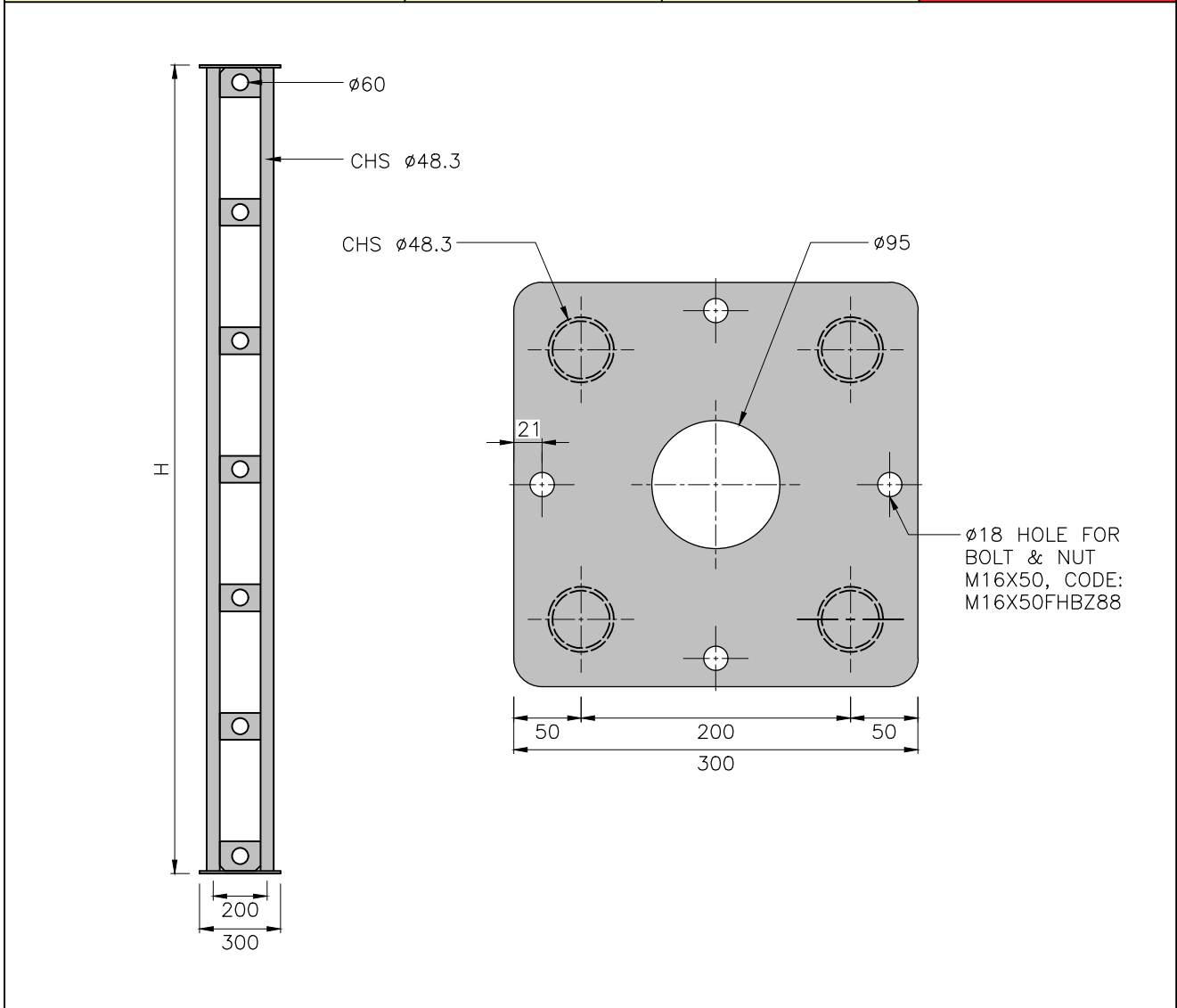
Design Notes

1. Pecco Support: Safety Working Load 200 kN (20 tonne)
Quadshore Support: Safety Working Load 365 kN (36.5 tonne)
2. To secure end-to-end connections, bolts and nuts should be used.
Pecco Support: 4 nos. M16 x 50 HT
Quadshore Support: 12 nos. M16 x 50 HT
3. If maximum load is applied, the following should not be allowed:
 - a. apply on eccentric load to either the square support body or jack;
 - or apply a horizontal load to either supports.
 - b. having a connection between two bodies that's not perfectly flush against each other.
 - c. erecting on uneven settlement or foundation that is unable to sustain the required load.
4. Square support jack should be greased every time before used.
5. Try to prevent applying eccentric or horizontal force on and deformed or damaged square support body shall not be allowed for use.
6. Special attention should be made when the height of the erected support bodies are to increase in order to maintain overall stability of the support.
7. Bolts used to connect the square support bodies and/or jack must be tightened before continuing erection or use.

PECCO QUADSHORE



Main Body	Height, H	Weight	Marking
PSP-SSH050	500	22.2kg	Yellow / 黃
PSP-SSH065	650	25.9kg	Sky-Blue / 天藍
PSP-SSH075	750	26.7kg	Purple / 淺紫
PSP-SSH100	1000	29.7kg	Orange / 橙
PSP-SSH125	1250	34.5kg	Green / 綠
PSP-SSH150	1500	37.2kg	Blue / 藍
PSP-SSH200	2000	44.7kg	White / 白
PSP-SSH225	2250	49.4kg	Brown / 啡
PSP-SSH250	2500	52.1kg	Pink / 粉紅
PSP-SSH300	3000	59.6kg	Red / 紅

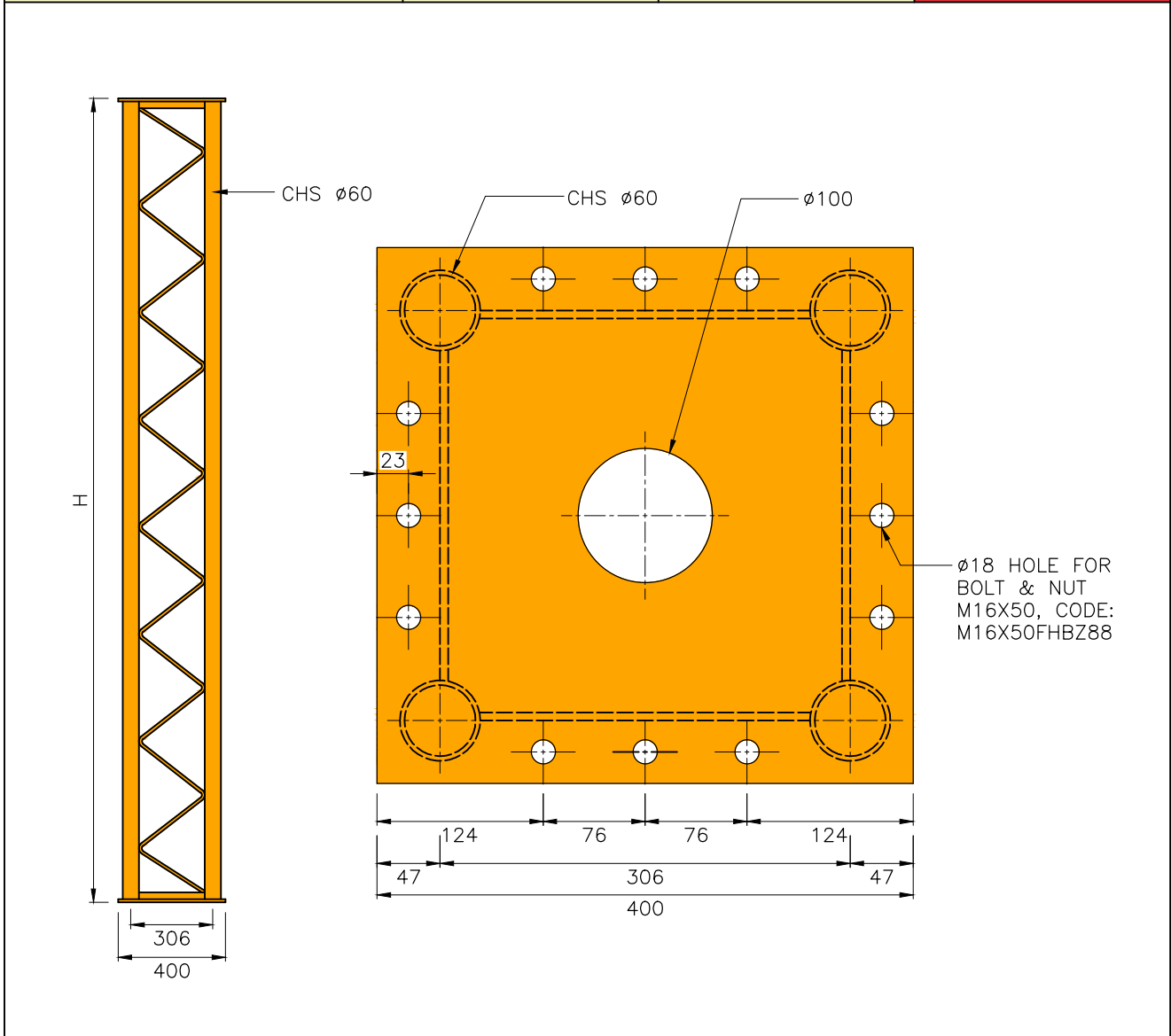


PECCO Support Body Section Properties

Cross Section Area, A	Radius of Gyration, i	Elastic Section Modulus, Z	Second Moment of Area, I
13.932cm ²	10.13cm	141.21cm ³	1,430.5cm ⁴



Main Body	Height, H	Weight	Marking
QSP-050	500	44.4kg	Red / 紅
QSP-060	600	47.1kg	Sky-Blue / 天藍
QSP-080	800	52.4kg	Purple / 淺紫
QSP-085	850	53.5kg	Yellow / 黃
QSP-100	1000	57.4kg	Orange / 橙
QSP-120	1200	62.5kg	Green / 綠
QSP-150	1500	70.5kg	Blue / 藍
QSP-200	2000	82.8kg	White / 白
QSP-300	3000	108.4kg	Red / 紅



QUADSHORE Support Body Section Properties

Cross Section Area, A	Radius of Gyration, i	Elastic Section Modulus, Z	Second Moment of Area, I
24.84cm ²	15.13cm	379.23cm ³	5688.52cm ⁴



PECCO Support Jack	Weight
PJK-SSJ58	32.5kg

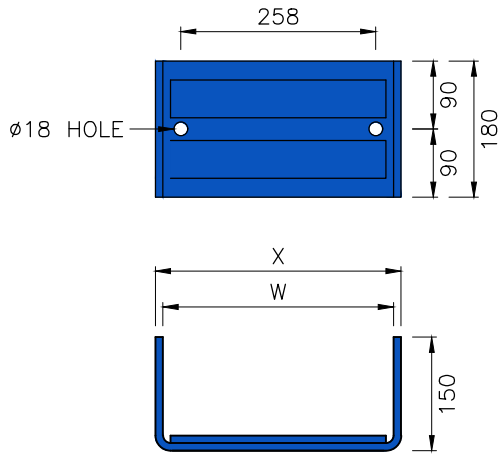
PECCO Support Head Jack	Weight
PJK-NSJ30	35.2kg

QUADSHORE Jack Adaptor	Weight
QJK-JAD	23.5kg

QUADSHORE Flat Head Jack	Weight
QJK-FHJ	22.6kg

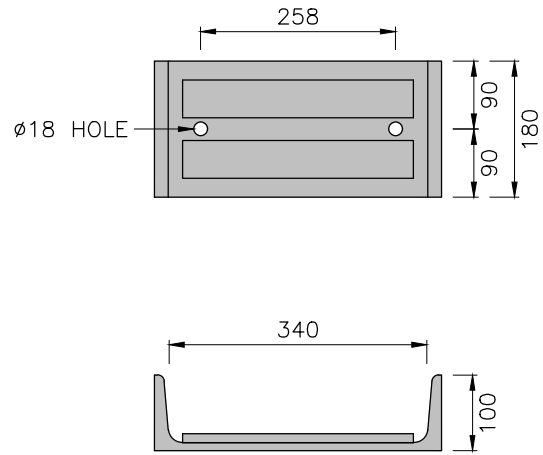


U-Head	W	X	Weight
PJK-SSU31	305	325	11.5kg
PJK-SSU35	325	345	12.3kg



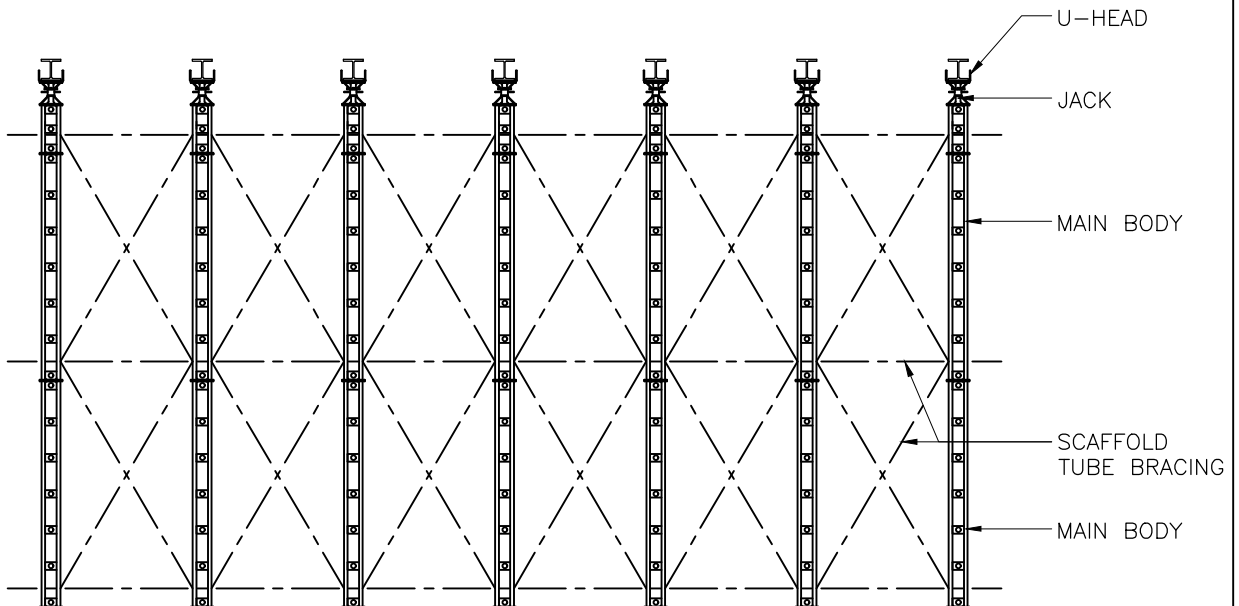
- Suitable for both PECCO or QUADSHORE support system

U-Head	Weight
PJK-SSU38	12.7kg



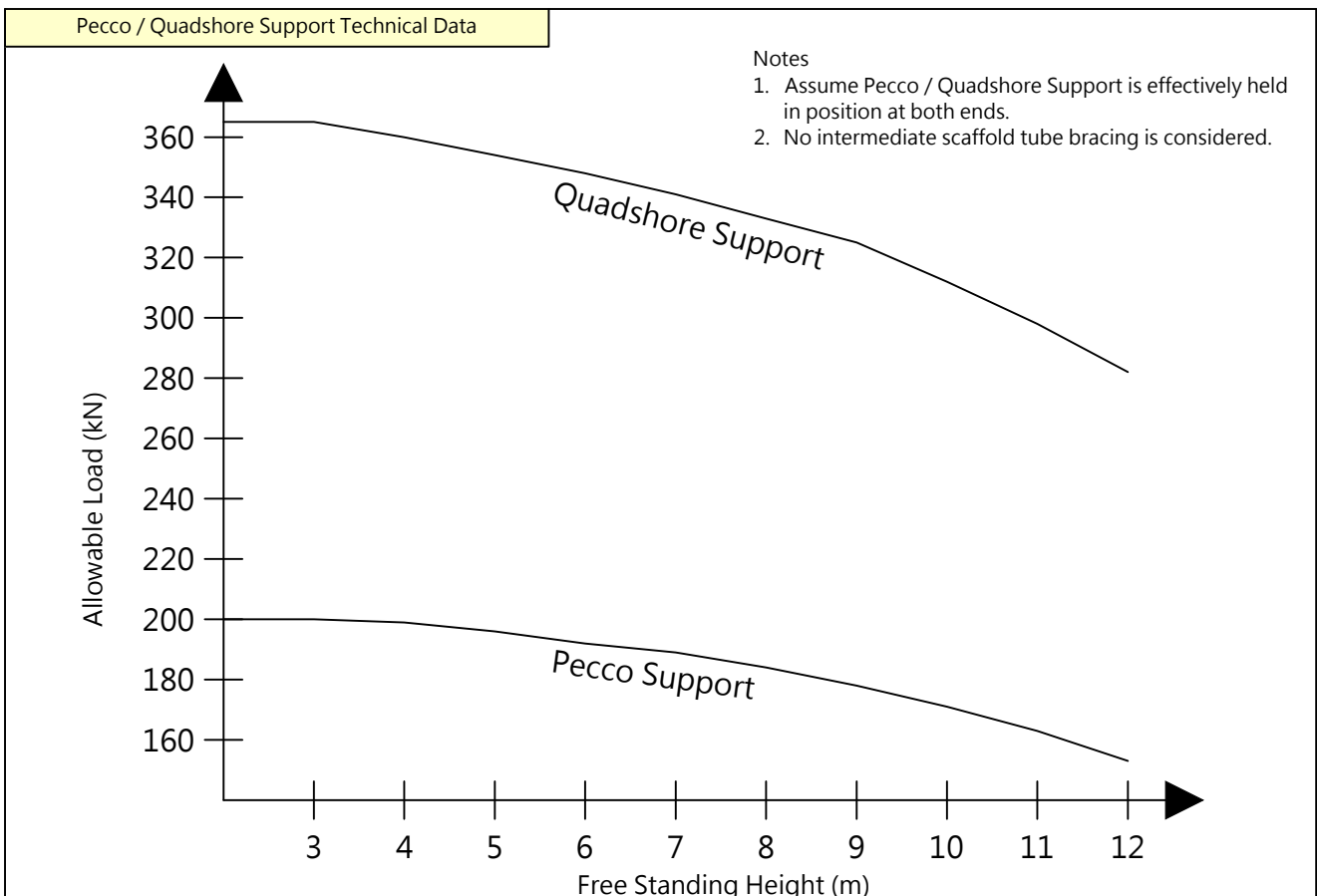
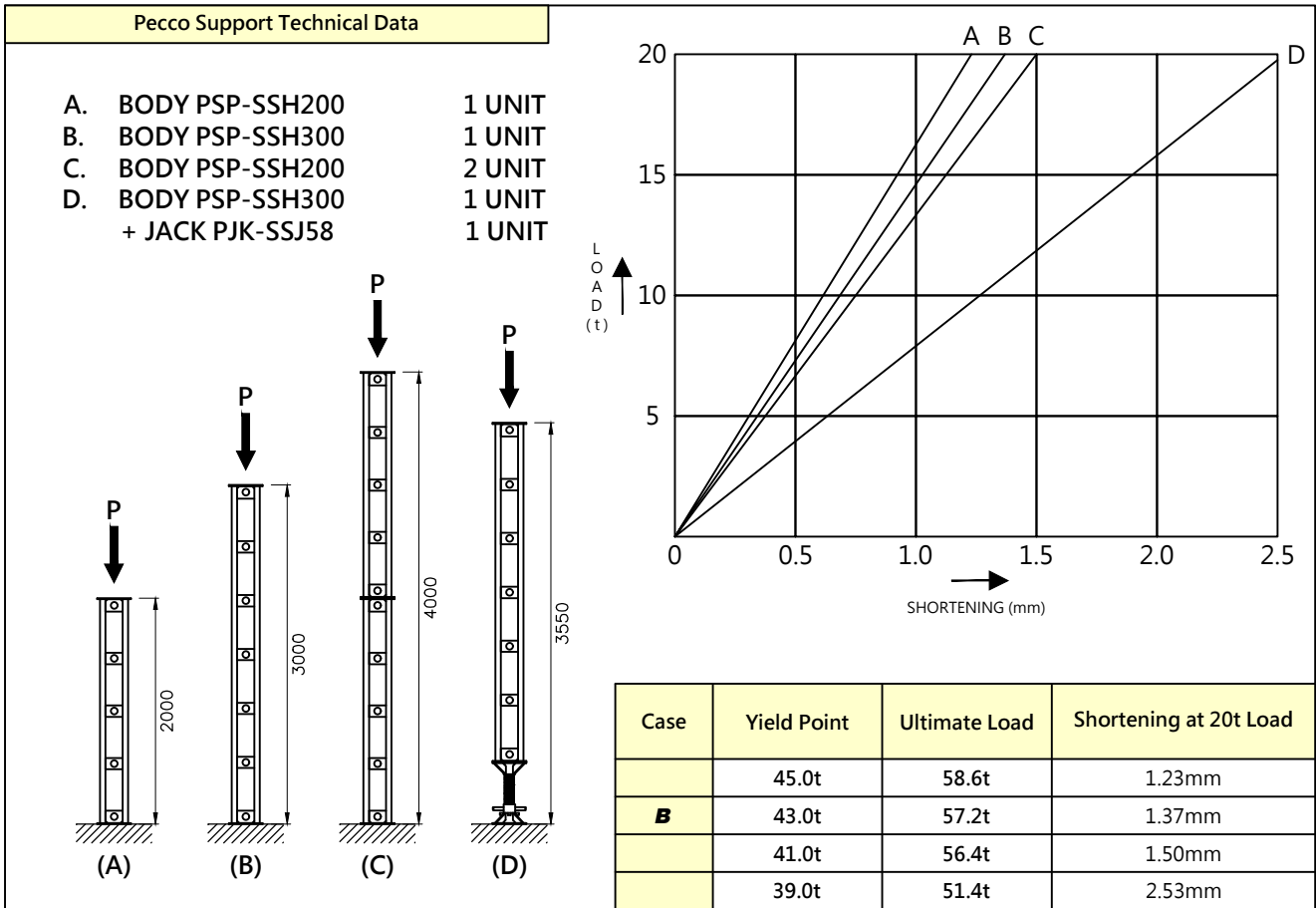
- Suitable for both PECCO or QUADSHORE support system

General Bracing Configuration



GENERAL RULES FOR BRACING





(BLANK)



For further information, please contact:

General

Email - general@canyonhk.com

Tel - (852) 2885 9633

Fax - (852) 2567 1611

Business

Email - d-b@canyonhk.com

Engineering

Email - d-e@canyonhk.com

or visit us at:

<http://www.canyonhk.com>



Canyon Metal Scaffolding Engineering Limited
Room 605-606, 6/F, Westlands Centre
20 Westlands Road, Quarry Bay
Hong Kong

