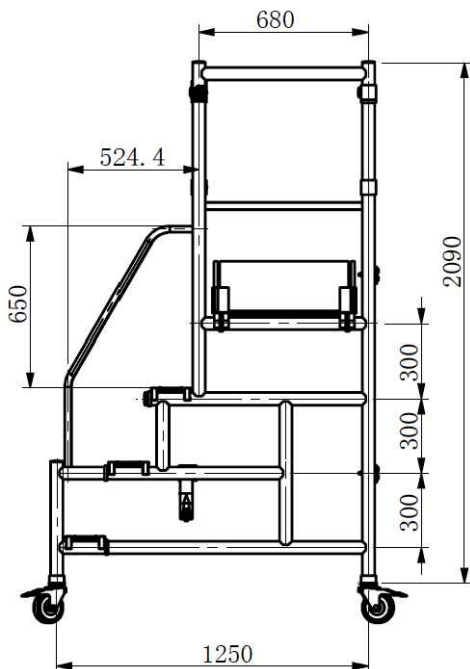
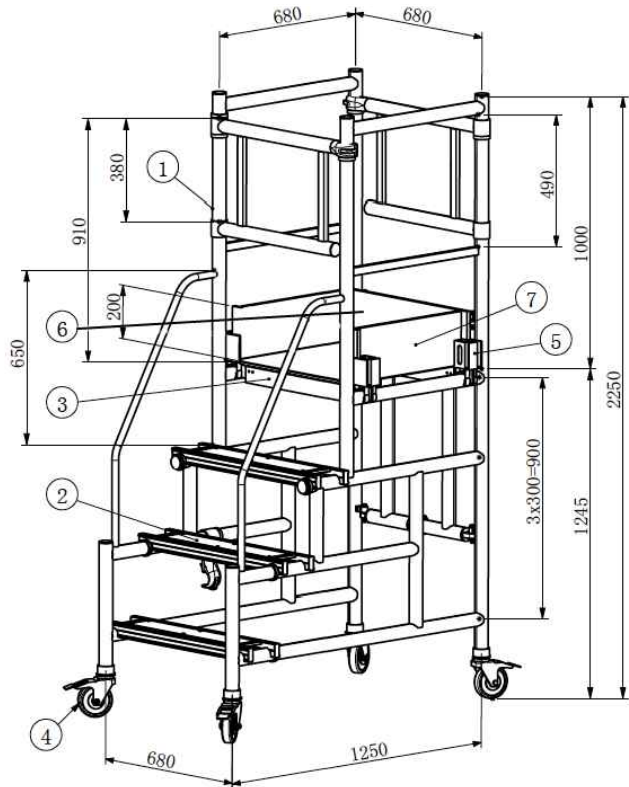


LOW LEVEL ALUMINIUM MOBILE WORKING PLATFORM 低空鋁流動工作台



The Low Level Aluminium Mobile Working Platform is compact, portable and easy to use as an access platforms. A foldable working platform that is ideal for one person, this platform is the most contractor's choice for safe and reliable low-level access equipment.

| Low Level Aluminium Mobile Working Platform | |
|---|-------------------|
| Item Code | LMS-CP6812 |
| Platform Dimension | 680 x 680mm |
| Height | 1245mm |
| Safety Working Load | 150kg |
| Net Weight | 35.6kg |



MAJOR ADVANTAGES

- Suitable for all low level works
- Fully foldable for storage
- Door style safety gates
- Anti-slip platform
- Fits through doorways

| Component List | | |
|-----------------|-----------|----------|
| Component | Material | Quantity |
| Frame | Aluminium | 1 |
| Platform Step | Plywood | 3 |
| Platform | Plywood | 1 |
| Brake Castor | Assorted | 4 |
| Toeboard Lock | PP | 4 |
| Toeboard Type A | Plywood | 1 |
| Toeboard Type B | Plywood | 2 |

