

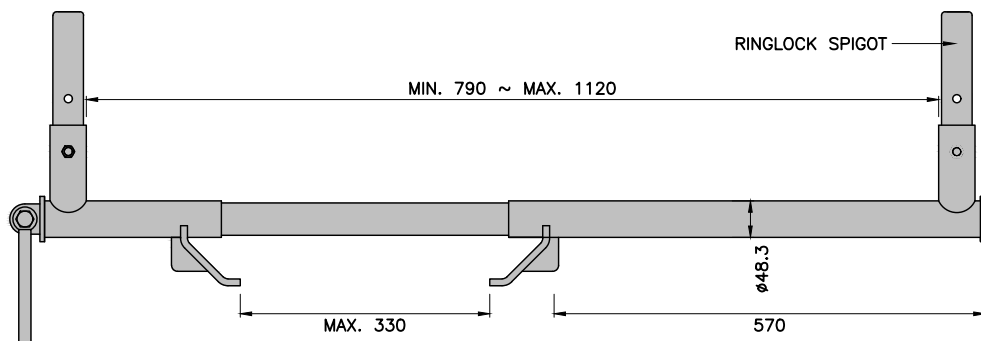
I-BEAM CATCH BASE 工字通道底桿

I-Beam Catch Base Type A 工字通道底桿	Weight
TSP-TBCBA	9.3 kg
I-Beam Catch Base Type B 工字通道底桿	Weight
TSP-TBCBB	7.1 kg

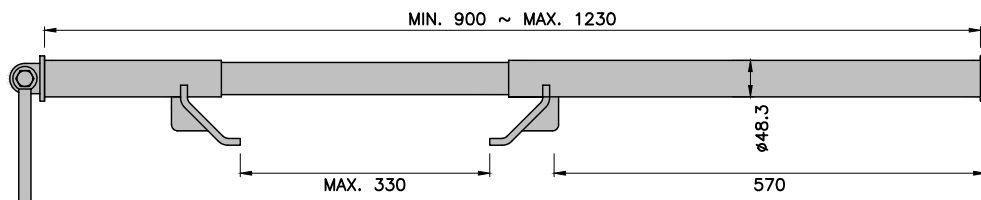
- Safety Working Load: 200 kg (Cantilever Span)
- Made-to-Order items, no existing stock available.

ADVANTAGES

- Catch base developed for support of temporary walkway on steel I-beam
- Excellent stability and strength
- Simple installation and dismantle process



Type A (For Ringlock System)



Type B (For Tube & Coupler)

