

## ALUMINIUM LORRY ACCESS LADDER

### 貨車上落鋁梯

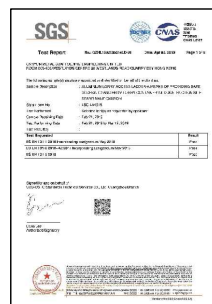
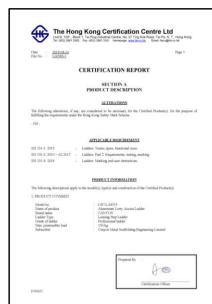
**PATENT NO: HK1238865**

**CERTIFIED TO BS EN 131**

Providing a reliable & lightweight solution to all your lorry access needs. The ladder is designed for safety & convenience so that workers can easily access the lorry container by installing it on any standard lorry sideboard.



Item Code	Steps	H	D	L	Weight
<b>LSC-LA4513</b>	<b>5</b>	1250	1325	1533 ~ 1908	9.2 kg
<b>LSC-LA4515</b>	<b>6</b>	1500	1575	1783 ~ 2158	9.9 kg



Canyon's ladder has been tested per BS EN 131 and obtained the Hong Kong Safety Mark certification.

#### ADVANTAGES 優點

##### SAFETY 安全:

Ladder's built-in handrail protects workers from stumbling or falling off during use. 貨車上落鋁梯已內置扶手可防止工人在上落貨車的過程中絆倒或掉落。

##### FLEXIBILITY 靈活:

Designed with an adjustable lock, the ladder can be fitted and installed on a range of lorry containers (up to 670 mm). 梯子設計有可調節的鎖，可以安裝在各類貨車車斗上(最大 670 毫米)。

##### DURABILITY 耐用:

Assured strength & sturdiness with its aluminium alloy. 鋁合金擁有高強度和耐用性。

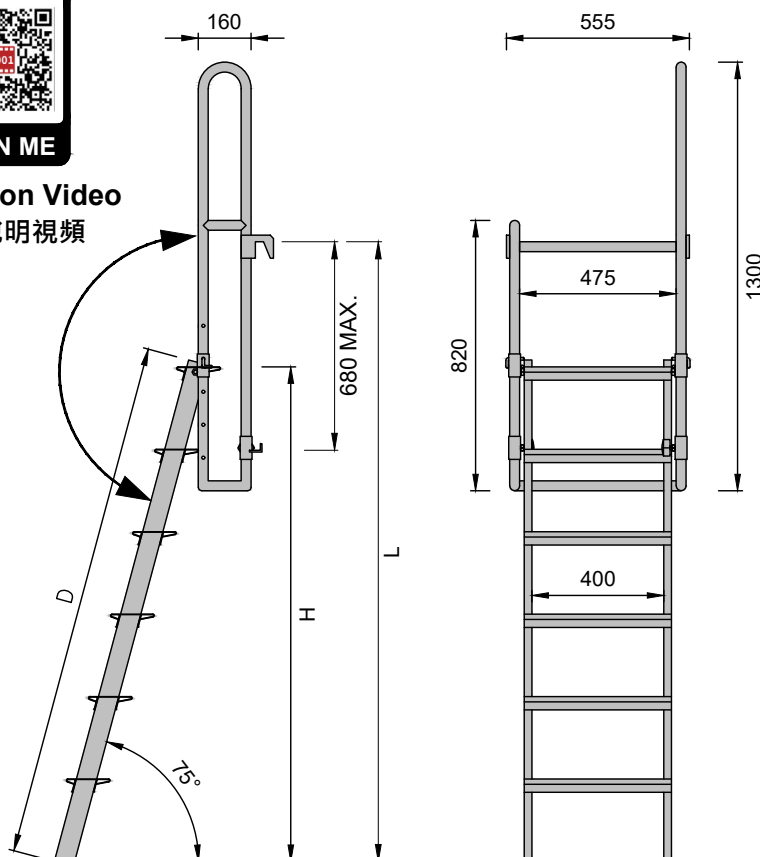
##### LIGHTWEIGHT 輕量:

Weighing under 10 kg, the ladder provides convenient and efficient handling while ensuring safety for workers during transport and installation. 重量在 10 公斤以下，梯子搬運便捷及高效，同時確保了運送和安裝過程中工人的安全。



SCAN ME

Instruction Video  
使用說明視頻



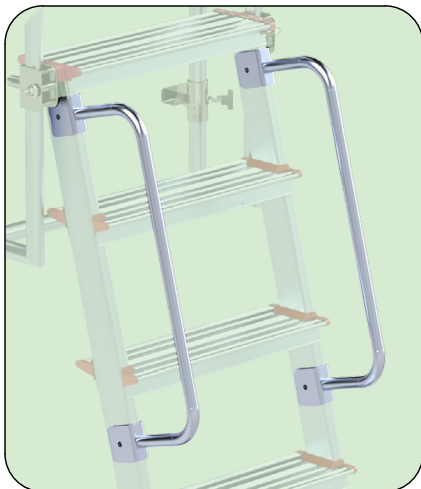
With the growing popularity and necessity for the Aluminium Lorry Access Ladder on construction sites, many clients advised Canyon of additional safety requirements they encountered. Given Canyon's existing customized design service, it would only be fitting to provide further safety design enhancements for the Aluminium Lorry Access Ladder. Please note that lead time for these special customized parts take up to 4-6 weeks.

## DOUBLE HANDRAIL POST



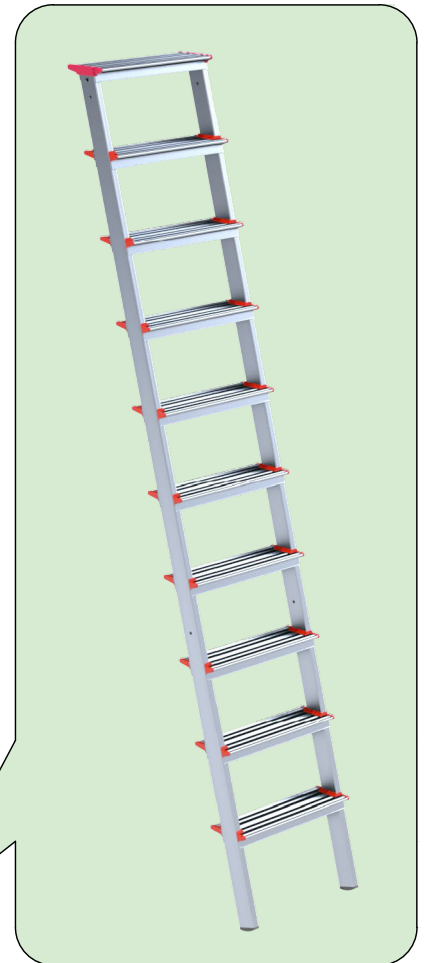
Insisted by some site requirements, double handrails can be customized to provide extra safety when climbing in/out between the lorry and step ladder.

## HANDRAIL FOR LADDER

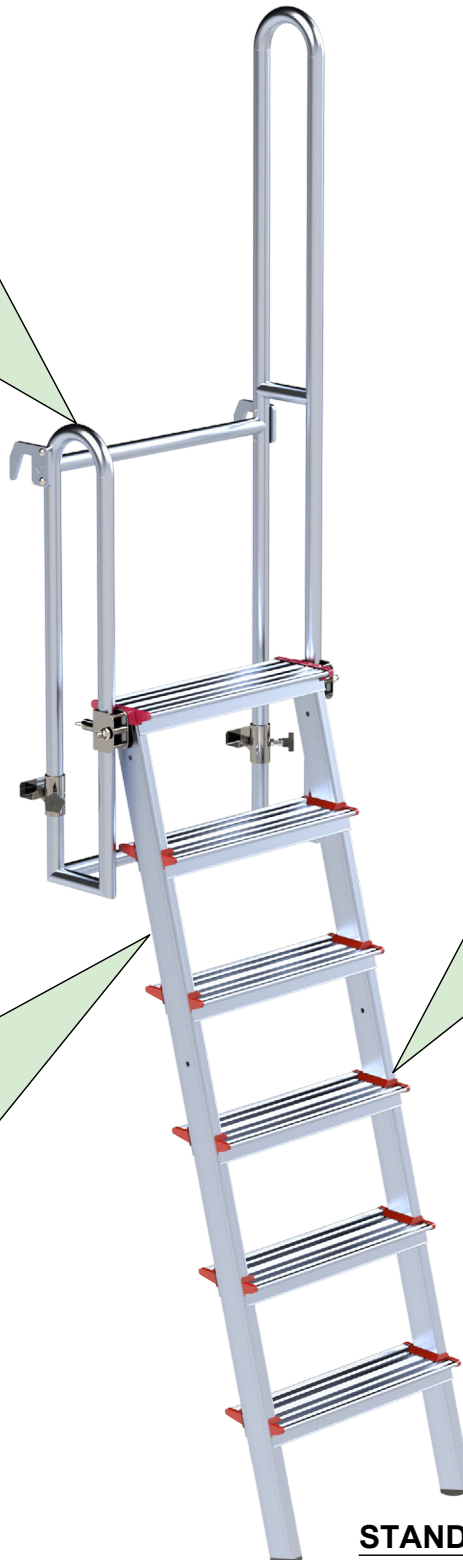


Providing extra safety for workers when climbing the stepladder, handrails (1 or 2) can be customized on the sides of the stepladder.

## 2-10 STEPS LADDER



Depending on the height requirement at site, the number of steps on the stepladder can be modified between 2 to 10 steps.



## STANDARD ALUMINIUM LORRY ACCESS LADDER

